

Fail Safe Logic

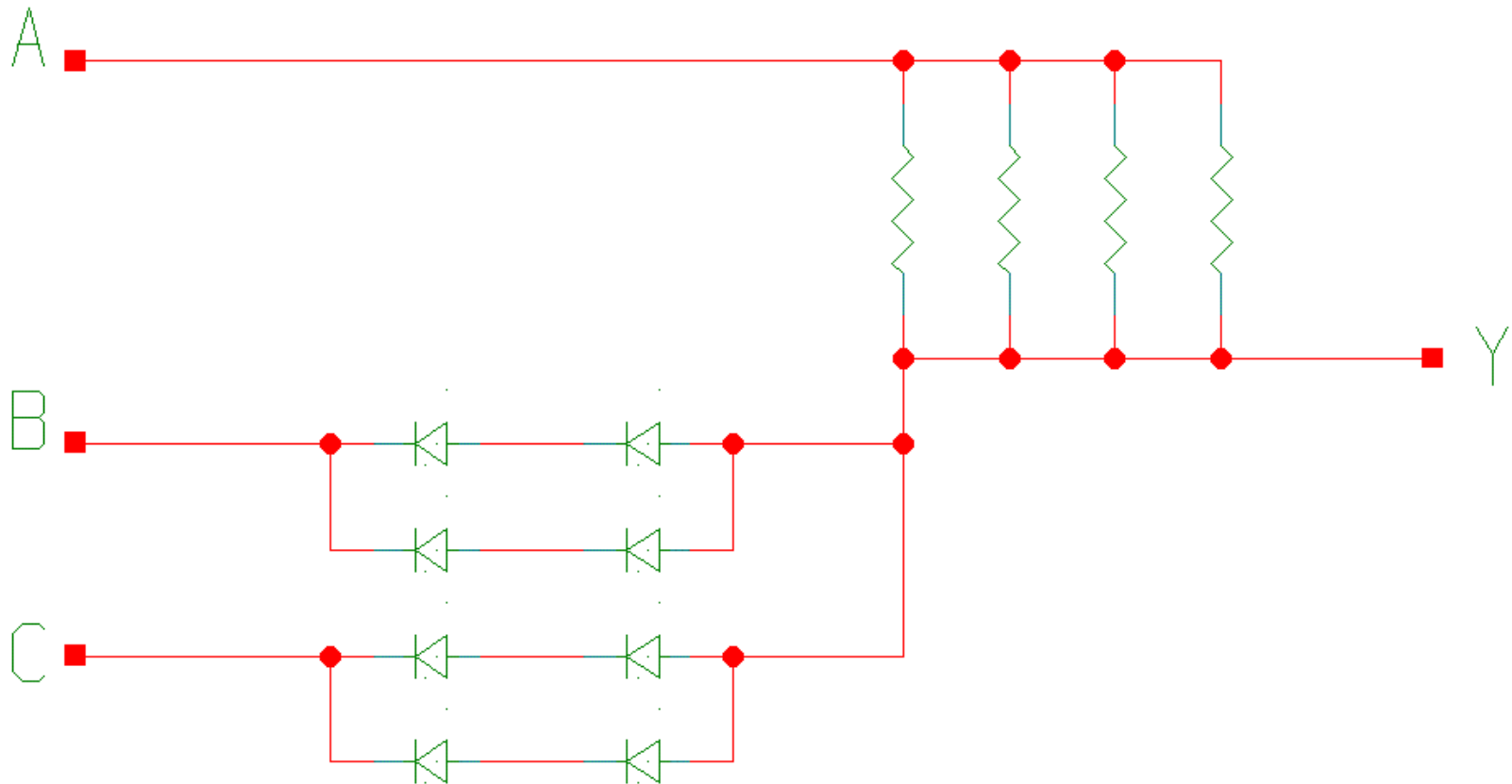
This section is under development.
Some sample historical material has
been included; references will be
supplied upon request.

Orbiting Astronomical Observatory (OAO) Technology

"Primary Processor and Data Storage Equipment for the Orbiting Astronomical Observatory," Thomas B. Lewis, IBM Corporation, Space Guidance Center, Owego, NY. **IEEE Transactions on Electronic Computers**, December 1963, pp. 677-687

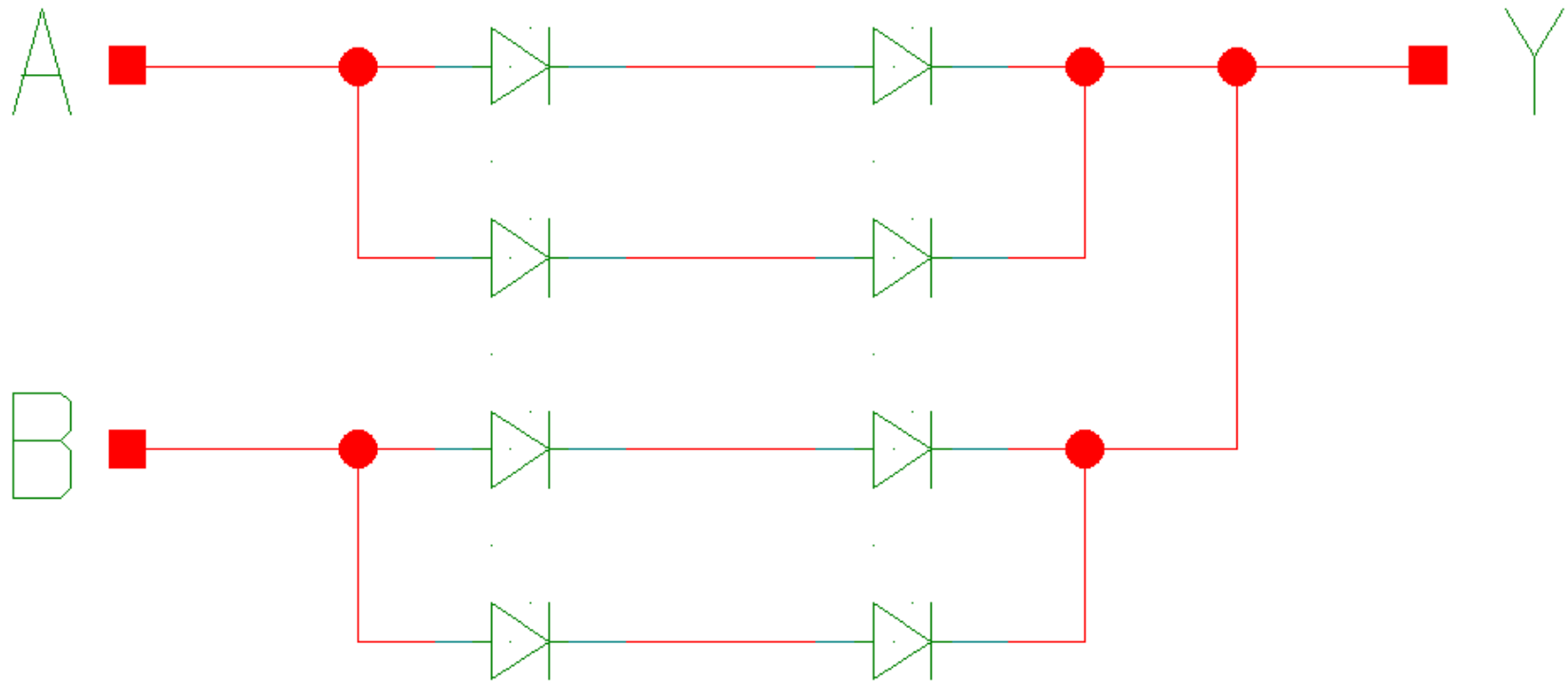
Quad Redundant AND Gate

Orbiting Astronomical Observatory



Quad Redundant OR Gate

Orbiting Astronomical Observatory



Quad Redundant Inverter

Orbiting Astronomical Observatory

